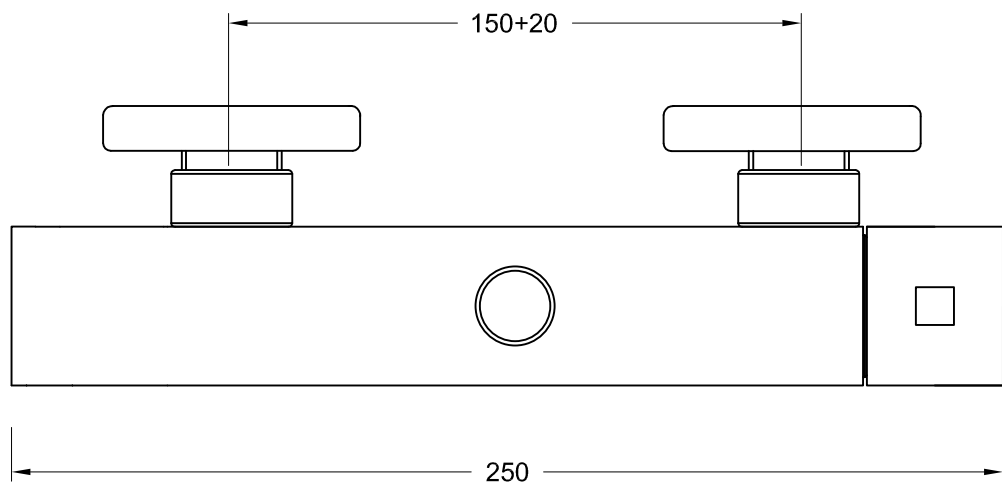
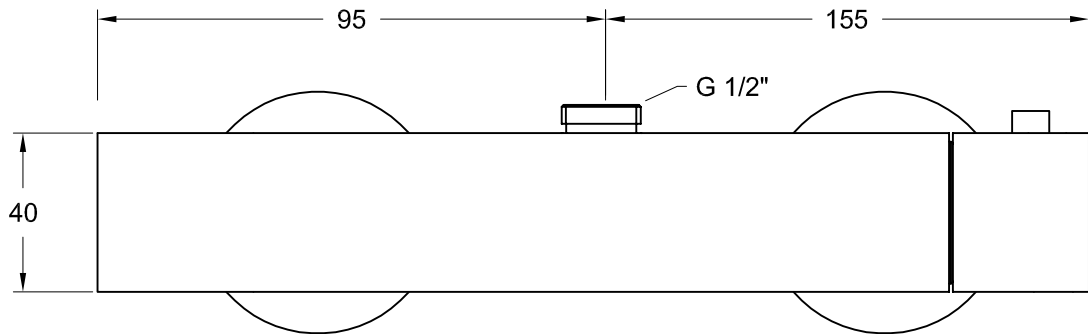


APP

cod. 43 40210

Miscelatore monocomando esterno con attacco doccia superiore.

Wall-mounted single lever external shower mixer with upper shower outlet.



Ricambi / spare parts:



Ø 35

cod. 19110